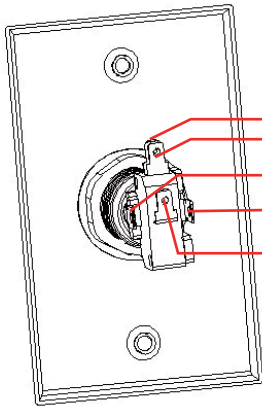
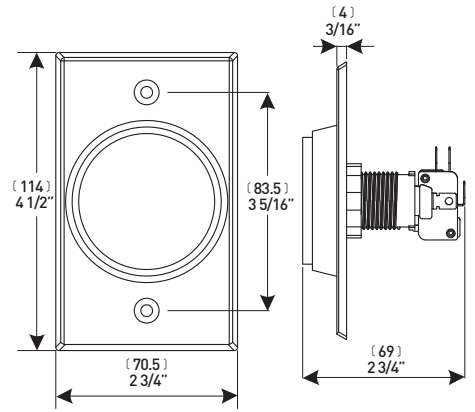


PPB-110 Series REX Button Instructions



- Yellow Switch / NC - Normally Closed
- White Switch / NO - Normally Open
- Red Bulb / + Positive (12 VDC)
- Black Bulb / - Negative (0V)
- Green Switch / C - Common



PPB-110

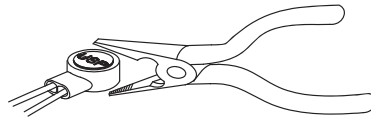


To swap out your lens cover to the other included lens covers, carefully pull on the clear cover only to remove it from the front of the switch.

Pick which cover you want, place it inside and return the cover to its position, and push it in until you hear it snap into place.

Copyright © All Rights Reserved. P-MU-PPB-11 Published: 2016.12.14

Butt Splice Connector:

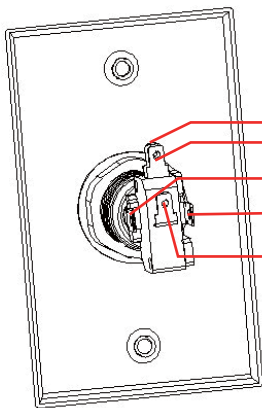


Using crimper or pliers and pressing the header of connector down to even position.

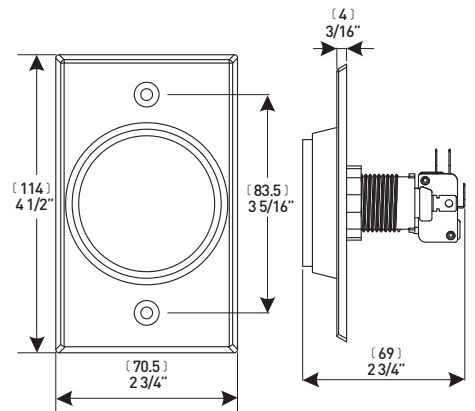
5 per pack



PPB-110 Series REX Button Instructions



- Yellow Switch / NC - Normally Closed
- White Switch / NO - Normally Open
- Red Bulb / + Positive (12 VDC)
- Black Bulb / - Negative (0V)
- Green Switch / C - Common



PPB-110

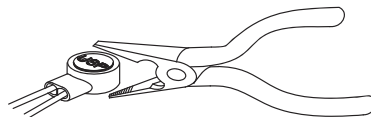


To swap out your lens cover to the other included lens covers, carefully pull on the clear cover only to remove it from the front of the switch.

Pick which cover you want, place it inside and return the cover to its position, and push it in until you hear it snap into place.

Copyright © All Rights Reserved. P-MU-PPB-11 Published: 2016.12.14

Butt Splice Connector:



Using crimper or pliers and pressing the header of connector down to even position.

5 per pack

